

# pushbuttons

US90-EN



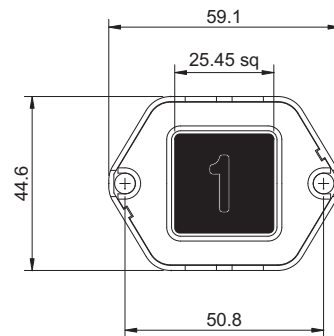
## US90-EN

The US90-EN pushbutton is a classic square button designed to meet the requirements of EN81-70. The black background to the pressel provides a clear contrast to the tactile legend and also to the faceplate as required by EN81-70. On call acceptance the legend itself illuminates brightly and you have the choice of many colour options. The US90-EN is available with the standard Compact 2 body, or Compact 2 Micro, a useful option for surface mount fixtures.

### key features

- 30mm high tactile legend
- High contrast between legend and pressel
- Legend and halo illumination
- Vandal resistant
- Large range of pressel legends
- Standard pressels are a black plate moulded with opal polycarbonate

# specification



This product is designed to meet the requirements of the following codes and regulations either in its standard form or through variants.

EN81-1/2



## technicals

- Moulded in high grade polycarbonate
- LED current 20mA
- A detailed data sheet for this product can be found on our website

## benefits

- Matching range includes keyswitches, rocker switches, and indicators
- Matching Jumbo range
- Vandal resistant

## options

- Wide range of colours for illumination including red, white, green, yellow and blue
- Single, dual and bi-colour illumination
- Available with either C2 or C2 Micro body
- Extended green button for main exit floor